



HEXAPODS

SIRIUS

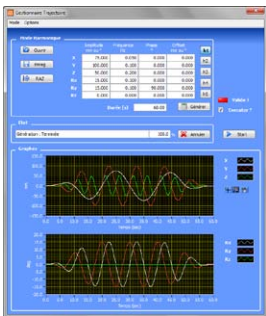


Applications

- High precision positioning
- Optical adjustment
- Radio testing
- Antenna qualifications

Specifications

- Payload capacity 200 kg
- Linear travel range ± 100 mm
- Angular travel range $\pm 20^\circ$



Control software



Control cabinet



SIRIUS is a high accuracy hexapod. It allows the adjustment of important payloads with high resolution. SIRIUS meets the highest required standards during testing and alignment phases in aeronautics, optics or space.

High precision and resolution

The configuration and the integration of high resolution actuators enable SIRIUS hexapod to achieve high performances of resolution and repeatability with important payloads.

Important stability

The stiffness of the various components constituting SIRIUS guarantees high stability and positioning quality in vertical and even in horizontal orientations.

Ergonomic and user-friendly control software

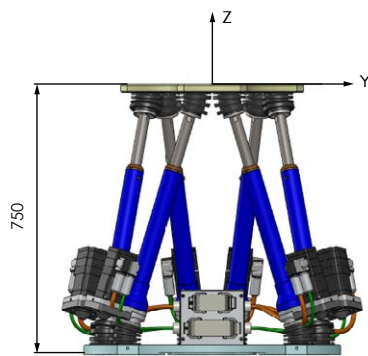
Controlling the hexapod is facilitated by a controller and software developed by SYMETRIE. Two models are available:

- One as standalone system with a dedicated application programming interface (API),
- One with a specific control software through an ergonomic graphical user interface (GUI).

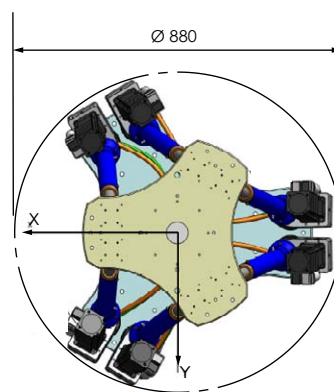
Axis	Travel range ⁽¹⁾	Resolution	Repeatability ⁽²⁾
Linear travel Tx	± 100 mm	5 µm	± 6 µm
Linear travel Ty	± 100 mm	5 µm	± 6 µm
Linear travel Tz	± 100 mm	5 µm	± 4 µm
Angular travel Rx	± 20 °	10 µrad	± 20 µrad
Angular travel Ry	± 20 °	10 µrad	± 20 µrad
Angular travel Rz	± 20 °	10 µrad	± 35 µrad

(1) Performances are specified for single axis motions, with all other axes at midrange, for a rotation centre positioned at the centre of the upper platform.

(2) Repeatability is given with ± 2 standard deviations for each direction of movement: + and -.



Hexapod in middle position



HEXAPOD	
Payload capacity	200 kg in vertical position 80 kg in horizontal position
Size of the mobile platform	Ø 520 mm
Height in middle position	750 mm
Weight	85 kg
CONTROL	
Electronic cabinet dimensions (W x D x H)	600 x 550 x 850 mm
Interface	Ethernet / Serial (RS-232)
Power supply	400 V AC (three-phase) 16 A

SIRIUS

Your specifications are particular, do not hesitate to consult us!

SIRIUS' options

Vacuum compatibility
Customized platform design