

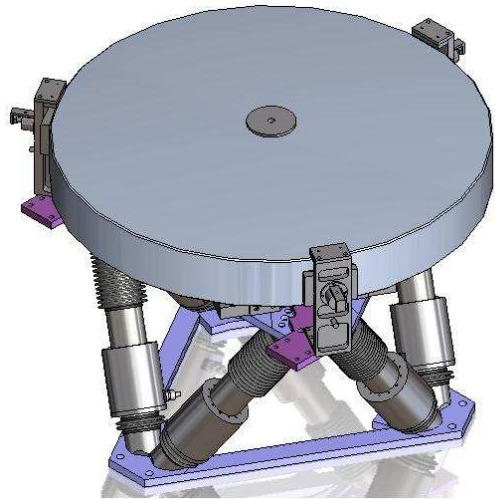


SYMETRIE announces its new technology for Telescope Mirror Positioning

SYMETRIE has been selected by the telescope manufacturer AMOS to develop an innovative mirror positioning system.

Telescopes world is moving. Telescopes are more and more powerful in order to see further and more accurately. Optical performances have been improved. As a consequence, telescopes manufacturers are looking after improved mirror positioning performances. Mirror positioning impacts directly telescope overall performances.

SYMETRIE, specialist in metrology and positioning, is a Hexapod world leading manufacturer. SYMETRIE has been selected by the telescope manufacturer AMOS to develop a new positioning system based on the hexapod technology.



After a 6 months technical review and collaboration with the customer, SYMETRIE had been able with its technology to reach the demanding specifications regarding high accuracy and resolution.

SYMETRIE achievement has highly participated in the AMOS project. AMOS can install its giant telescope in full confidence at ARIES site in India.

SYMETRIE has a strong know how in supplying systems dedicated to optical applications. For example, SYMETRIE hexapods are also used by operators for assembling satellites. SYMETRIE has developed for such applications positioning systems achieving $1\mu\text{m}$ accuracy.